

TECHNICAL DATA SHEET

QUBE

Basin Mixer without Waste

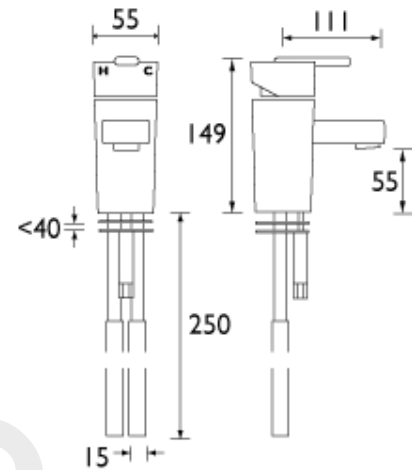
Product Specification

Product Code:	QU BASNW C
Finish:	Chrome
Product Type:	Contemporary
Construction:	Body is of Brass Construction and is designed to conform to BS EN 817
Valve Type:	40mm Ceramic Cartridge
Supply:	Suitable for all plumbing systems
Inlet Connections:	M10 x 15mm Flexible Tails
Water Pressure:	Min 0.2 bar, Max. 8.0 bar



Additional Information

- Supplied with metal handle
- Chrome plated to BS EN 248



Flow Rates (litres per minute)

System Pressure	0.2bar	0.5bar	1.0bar	2.0bar	3.0bar	5.0bar
Open Outlet	7.8	12.3	17.2	24.3	29.7	38.4



Technical Advice: For further information please call 0844 7016273 or email customercare@bristan.com

Guarantee: 5 years covering manufacturing faults.